



# VBM 200X MR

## 200mL Cartridge Dispenser

Epoxy coated steel frame  
for efficient dispensing



Epoxy coated aluminum handle  
ergonomically design for comfort

Minimum trigger pressure  
for effortless use

Sulzer | 2-Component COX Dispenser | 52

Model shown: VBM 200X MR 200mL

### Features

- High quality cast aluminum handle
- Epoxy coated steel frame support
- Sintered alloy catch plate
- Snap fit cartridge strap
- Customization possible

### Benefits

- For day long comfortable use
- For efficient dispensing
- Wear compensation device (WCD)
- For optimal cartridge support
- Customer labelling

### Applications



Bonding



Sealing



Shimming

### Product by range



VBM 100

VBM 200 MR

**VBM 200X MR**

VBM 200

VBM 200X

VBM 400 MR

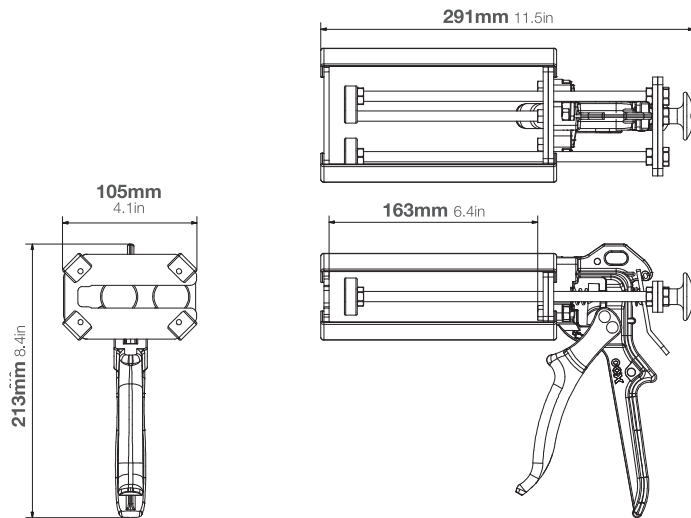
VBM 400X MR

The **VBM 200X MR** 2-component manual dispenser has a high-powered 25:1 mechanism while the snap fit cartridge straps gives optimal cartridge support and fit.

### Specifications

- Lightweight: 1.5kg / 3.3lbs
- Frame Length: 163mm / 6.4in
- Maximum Thrust: 4.5kN
- Handle Material: Epoxy Coated Aluminum
- Frame Material: Epoxy Coated Steel
- Tool Component Approvals: REACH
- Cartridge Capacity: 200mL / 7.0oz
- Cartridge Ratio: 1:1, 2:1, 4:1, 10:1
- Mechanical Advantage Ratio: 25:1
- Viscosity: Medium / High
- Standard Color: Black / Blue
- Customized Versions: Yes

### Dimensions



**Part number:**  
DM2C 200-MR-r25-101

**Article number:**  
167325 / M200XMR (US)

**Packaging:**  
10 per Box / 1 per Box (US)

### Matching MIXPAC™ side-by-side cartridges



**C-System / F-System**  
200mL / 1:1 PP/PA/PBT



**C-System / F-System**  
200mL / 2:1 PP/PA

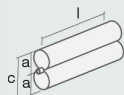


**C-System / F-System**  
200mL / 4:1 PP/BPT



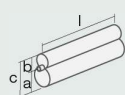
**C-System / F-System**  
200mL / 10:1 PP/BPT

### Compatible side-by-side cartridges



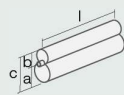
**Plastic Cartridge**  
200mL / 1:1 PP/PBT

1:1	mm	inch
l	148.0	5.83
a	Ø37.0	Ø1.46
c	79.0	3.11



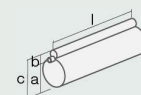
**Plastic Cartridge**  
200mL / 2:1 PP

2:1	mm	inch
l	148.0	5.83
a	Ø50.0	Ø1.97
b	Ø31.0	Ø1.22
c	81.0	3.19



**Plastic Cartridge**  
200mL / 4:1 PP/PBT

4:1	mm	inch
l	148.0	5.83
a	Ø49.0	Ø1.93
b	Ø25.0	Ø0.98
c	77.0	3.03



**Plastic Cartridge**  
200mL / 10:1 PP/PBT

10:1	mm	inch
l	147.0	5.79
a	Ø55.0	Ø2.17
b	Ø19.0	Ø0.75
c	78.0	3.07

**Conversion kits**  
Conversion kit included

**Matching accessories**  
-